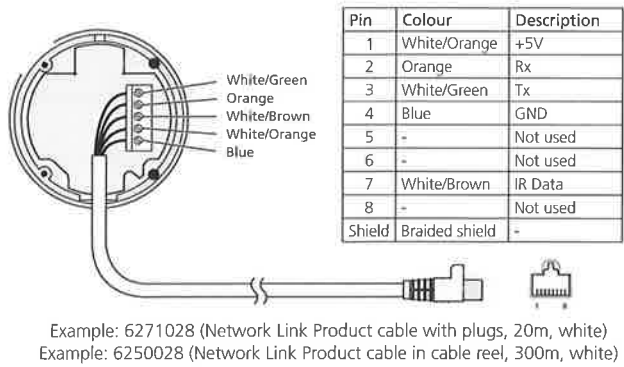
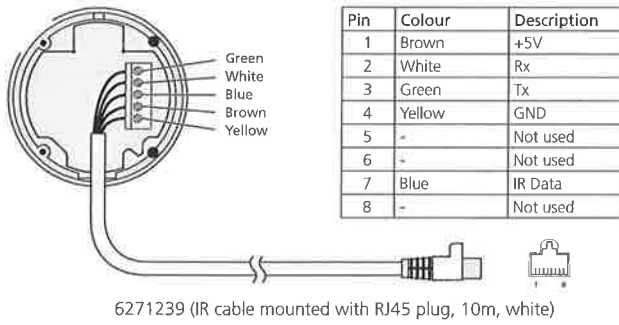
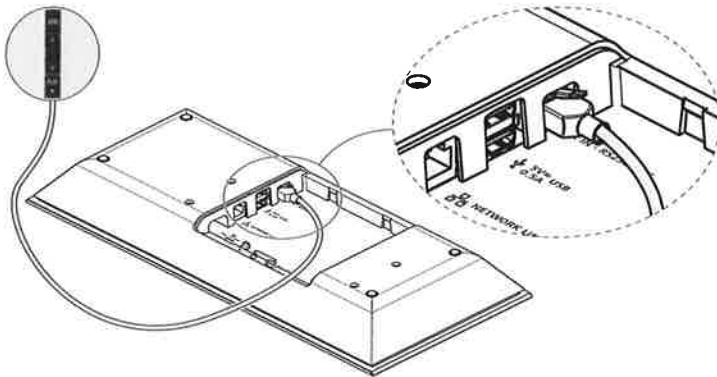


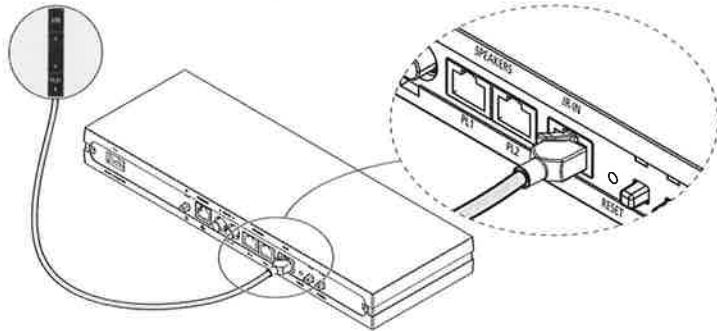
## 1. Connect cable in IR-eye



## 2a. Connect RJ45 plug into the BeoLink Converter NL/ML



## 2b. Connect RJ45 plug into the BeoSound Essence MKII



## 2c. Connect RJ45 plug into the DPL socket on the BeoSound Core type 3051, 3052 and 3053 (IR)

